



CLIMATE CONTROL DEVICE 4000-20

INSTRUCTION MANUAL

*Read all instructions and warnings before using this product.
Save this manual for future reference.*





RPB LIMITED
10 Holt Place, Harewood
Christchurch, New Zealand
 Tel: 1 866 494 4599
 Fax: 1 866 494 4509
 Email: info@rpbresp.com



TYPE C and CE CONTINUOUS FLOW, SUPPLIED-AIR RESPIRATOR
THESE RESPIRATORS ARE APPROVED ONLY IN THE FOLLOWING CONFIGURATIONS

RESPIRATOR COMPONENTS																												
TC No.	Protection ¹	M O D E L	Alternate Helmets		Alternate Flow Regulator and Belt				Alternate Capes			Alternate Quick Disconnect			Alternate Hoses			Breathing Air Tube	Alternate Visor		Alternate Lenses			Cautions & Limitations ²				
			NV2001	02-803	NV2016	4000-01	NV2015	4000-20	NV2002	NV2002L	NV2002XL	02-813	NV2025	NV2024	NV2032	NV2034	NV2037		NV2028	NV2029	NV2035	NV2036	NV2021		NV2004	02-804	NV2018	NV2031
19C-363	SA/CF/SB	NOVA 2000	X		X	X		X	X	X		X	X	X		X	X			X	X		X	X	X			ABCDEJMNOS
19C-417	SA/CF/SB	ASTRO		X	X						X	X	X	X		X	X			X		X				X	X	ABCDEJMNOS
19C-422	SA/CF/SB	NOVA 2000	X				X	X	X	X				X	X			X	X	X	X		X	X	X			ABCDEJMNOS
19C-423	SA/CF/SB	ASTRO		X			X				X			X	X			X	X	X		X				X	X	ABCDEJMNOS

1. PROTECTION

CF - Continuous flow SA - Supplied-Air SB - Supplied-Air Abrasive Blast

2. CAUTIONS AND LIMITATIONS

- A - Not for use in atmospheres containing less than 19.5% oxygen.
- B - Not for use in atmospheres immediately dangerous to life and health.
- C - Do not exceed maximum use concentrations established by regulatory standards.
- D - Air-line respirators can be used only when the respirators are supplied with respirable air meeting the requirements of CGA G-7.1 Grade D or Higher Quality.
- E - Use only the pressure ranges and hose lengths specified in the User's Instructions.
- J - Failure to properly use and maintain this product could result in injury or death.
- M - All approved respirators shall be selected, fitted, used and maintained in accordance with MSHA, OSHA, and other applicable regulations.
- N - Never substitute, modify, add, or omit parts. Use only exact replacement parts in the configuration as specified by the manufacturer.
- O - Refer to User's instructions, and /or maintenance manuals for information on use and maintenance of these respirators.
- S - Special or critical User's instructions and /or specific Limitations apply. Refer to User's Instructions page 2 breathing air pressure table.

INTRODUCTION:

The 4000-20 Hot Tube is designed to supply a continuous flow of warm compressed air to supplied-air respirators.

AIR QUALITY:

The respirator must be supplied with clean breathable grade D air at all times. Always use an inlet filter on your compressor – locate your compressor in a clean environment. The AIR QUALITY must be constantly monitored to ensure grade D air is supplied at all times. A carbon monoxide alarm must always be used.

! WARNING ! Do not connect the air supply hose to nitrogen, toxic gases, inert gases or any other non grade D air source.

AIR PRESSURE:

S- Special or critical User's instructions, and/or specific limitations apply. Refer to Breathing Air Pressure table below.

The air pressure supplied to the respirator must be continuously monitored to ensure it keeps within the specified range as detailed on the breathing air pressure table.

BREATHING AIR PRESSURE TABLE

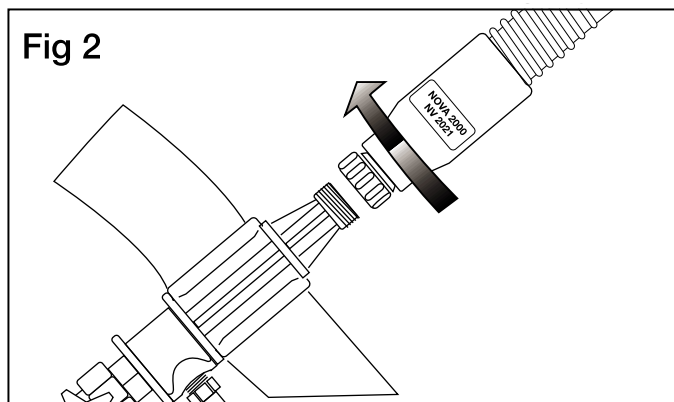
FIG 1

1.	2.	3.	4.	5.	6.	7.
Air Source	Respirator Model	Flow Control Device	Air Supply Hose	Air Supply Hose Length	Max Number of Sections	Pressure Range (PSIG Air)
Portable or Stationary Compressor	NV 2000	4000-20	NV2028/ NV2029	25	1	67 - 68
				50	1	69 - 70
				100	2	73 - 74
				150	3	77 - 78
				200	4	81 - 82
				250	5	86 - 87
				300	6	91 - 92

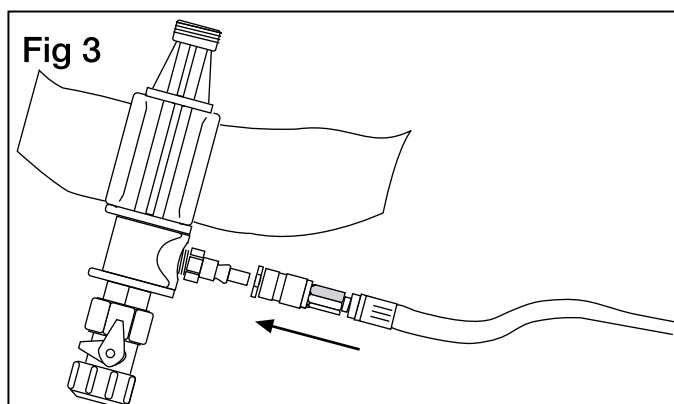
! WARNING ! Make sure you understand the breathing air pressure table before using the respirator. Make sure you set the correct air pressure for the correct supply hose length.

SET UP AND USE:

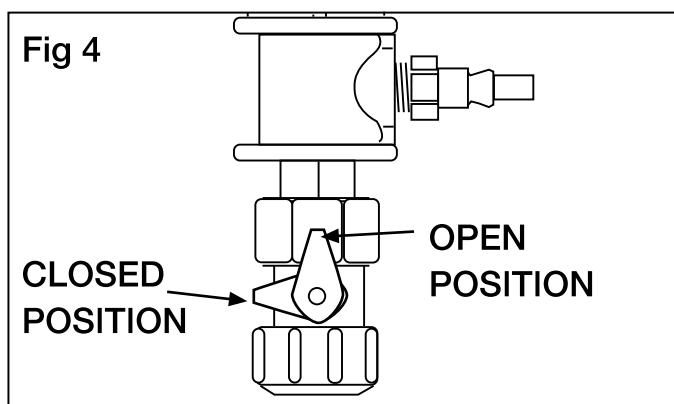
1. Connect the 4000-20 to the NV2021 breathing tube and tighten by hand (Fig 2).



2. Connect the approved air supply hose to a breathing Air source which supplies grade D or better quality air. Connect the air supply hose to the 4000-06 quick disconnect tail (Fig 3).



3. With air flowing through the respirator adjust the air pressure at the point of attachment to the recommended pressure specified in the breathing air pressure table (Fig 1) page 2. The air pressure must be set with the outlet valve in the open position as detailed in (Fig 4).



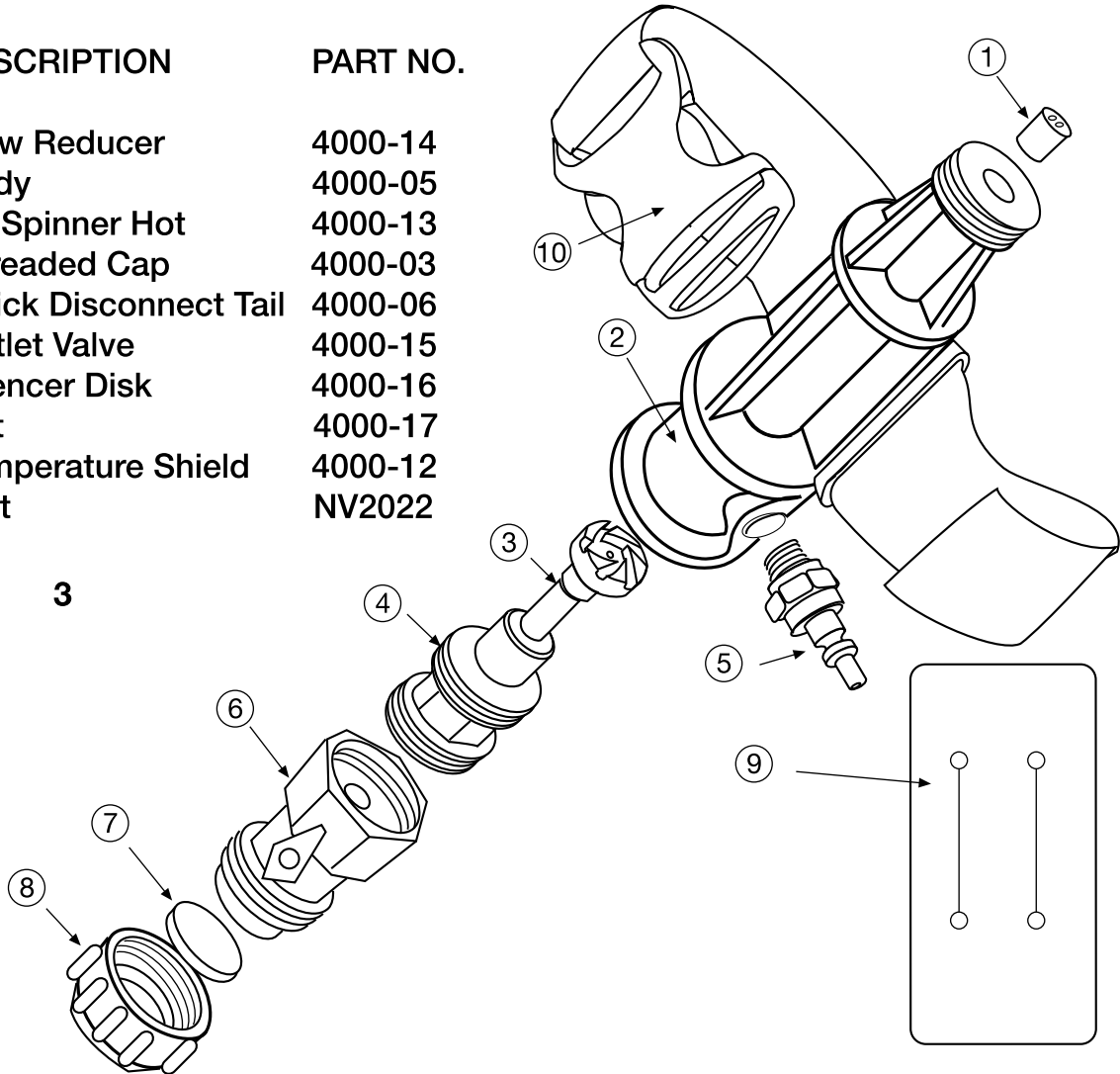
4. With the compressed air flowing into the respirator at the correct pressure range for the correct supply hose length you are now ready to enter the work area. Do not remove your respirator until you are outside the blasting area.

MAINTENANCE:

The 4000-20 can be completely disassembled for maintenance. The components can be rinsed in clean water to remove build up of contaminants, it is advised to rinse out the silencer disc on a regular basis to ensure the unit maintains peak performance. Refer to the parts list for replacement part numbers. Do not clean with volatile chemicals or chemicals that could be harmful to your health.

PARTS LIST

ITEM	DESCRIPTION	PART NO.
1	Flow Reducer	4000-14
2	Body	4000-05
3	Air Spinner Hot	4000-13
4	Threaded Cap	4000-03
5	Quick Disconnect Tail	4000-06
6	Outlet Valve	4000-15
7	Silencer Disk	4000-16
8	Nut	4000-17
9	Temperature Shield	4000-12
10	Belt	NV2022



! WARNINGS !

1. Do not use the 4000-20 until you have been trained in it's use, maintenance and limitations by a qualified individual (appointed by your employer) who has extensive knowledge of the 4000-20.
2. Do not ingest the ice that may form on the outlet valve as it could contain oils or toxic elements that could cause illness or death.
3. Do not modify or alter parts of the 4000-20 or the respirator. The use of non approved parts voids the entire approval of the respirator.
4. During abrasive blasting operations do not use abrasives containing silica, the use of silica sand can cause serious respiratory disease or death.
5. Due to the high noise levels created during abrasive blasting always wear earplugs.



Did you know...
We can also supply you with the following!



The **NOVA 2000** has been designed for blasting professionals. The NOVA 2000 is the most advanced abrasive blasting helmet available, with fully padded pillow foam liner for extra comfort and noise attenuation, wide angle vision, even air distribution ensures a pleasant working environment, optional climate control devices. Things cannot get much better!



ASTRO is your number one choice economy Abrasive Blasting Helmet, which meets safety standards worldwide. This is the lightweight, robust Helmet you have been waiting for. It helps to reduce fatigue, reduce down time and increase productivity.



The **RADEX Airline Filter** offers you more capacity, versatility & filtration. You can combine the versatility of either floor or wall mounting with increased filtration capacity. Our range of optional equipment means you can customize your filter to meet your requirements.



Stay cleaner with **Head Socks** and **Spray Hoods**. One size fits all. The cool comfortable Spray Hood protects from over spray and sanding dust. The Head Sock can be worn as a hygienic helmet liner.



CONTACT YOUR DISTRIBUTOR TODAY!

Phone: 1-866-494-4599 Fax: 1-866-494 4509 Email: info@rpbresp.com